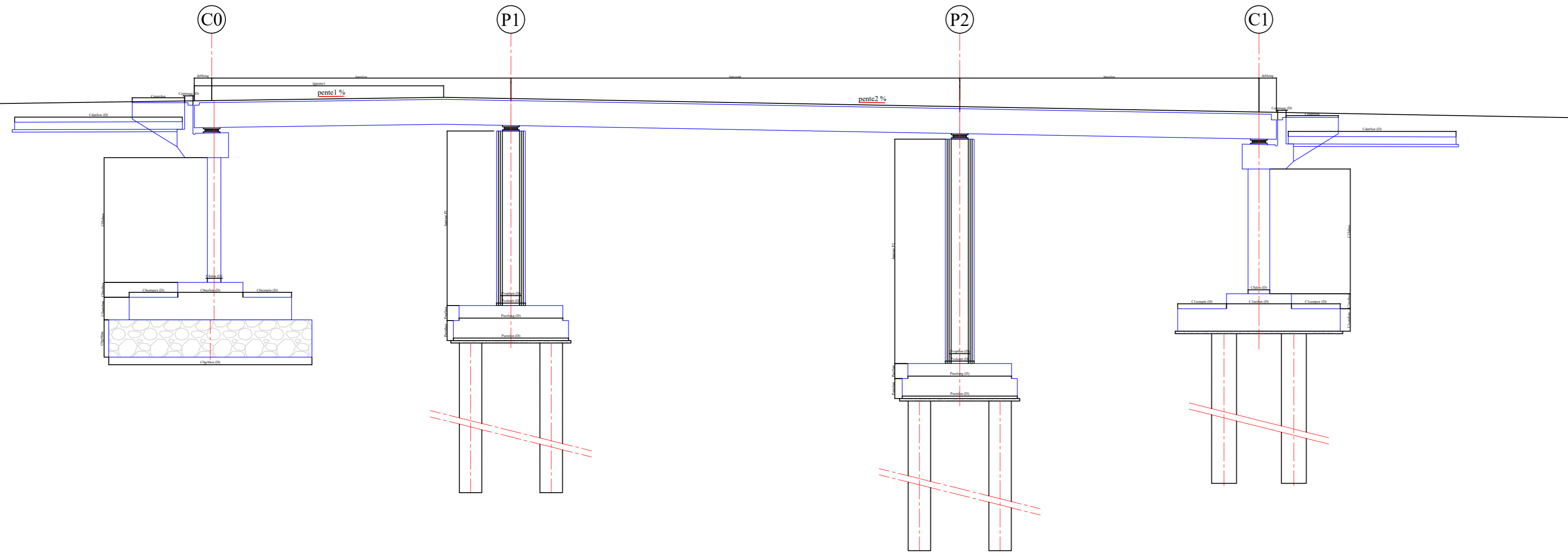


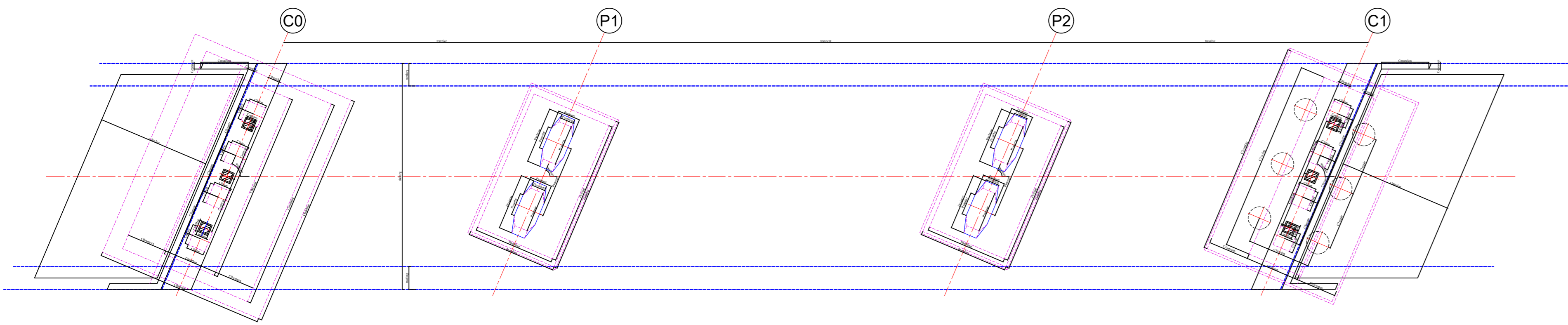
OVERPASS FORMWORK AT Km

Data File Name:

Longitudinal Section
Scale: 1/100

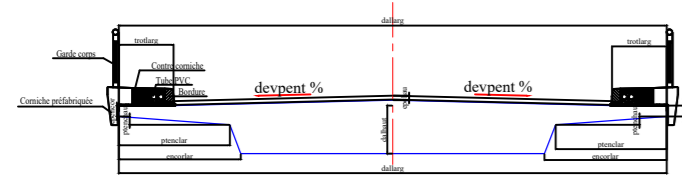


Plan View
Scale: 1/100

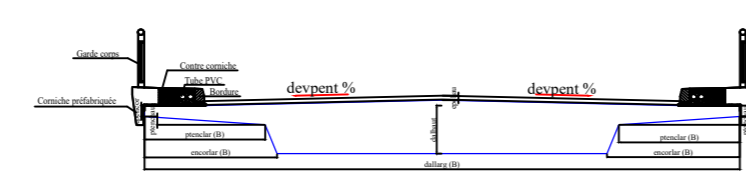


SOLID SLAB WITH FOOTPATH CANTILEVER (formdal = 1)

Straight Cross Section
Scale:

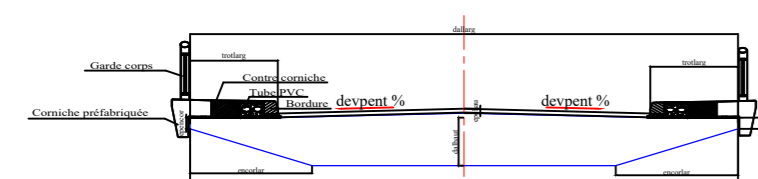


Skew Cross Section
Scale:

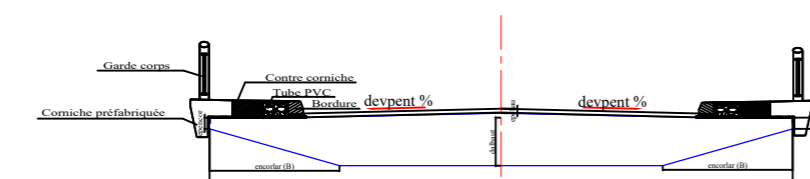


SIMPLE CANTILEVER (formdal = 0)

Straight Cross Section
Scale:

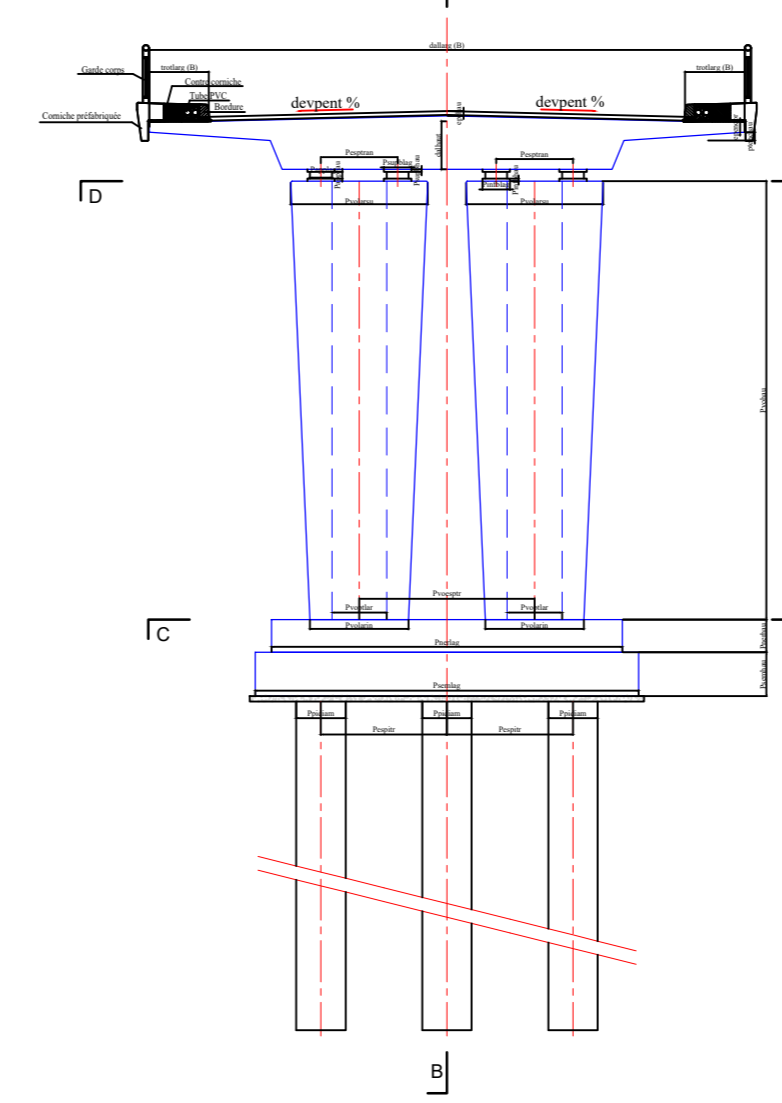


Skew Cross Section
Scale:

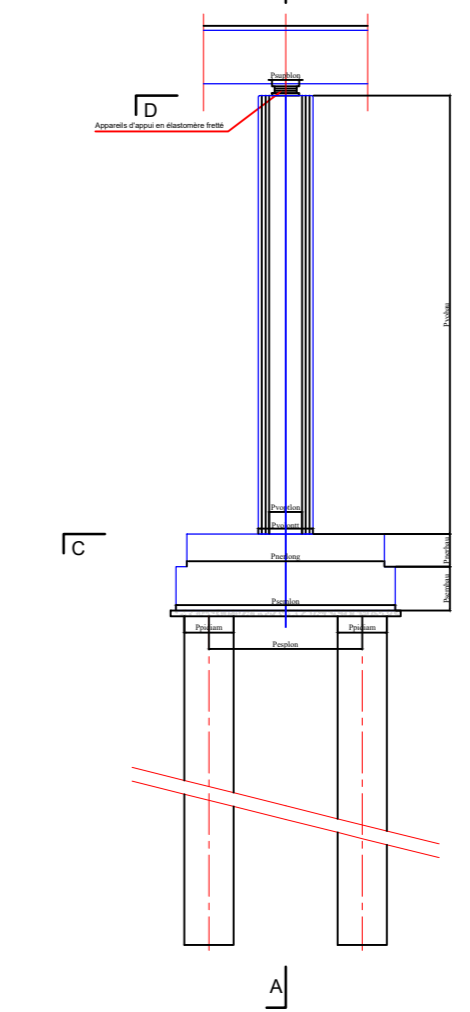


Pier Sections

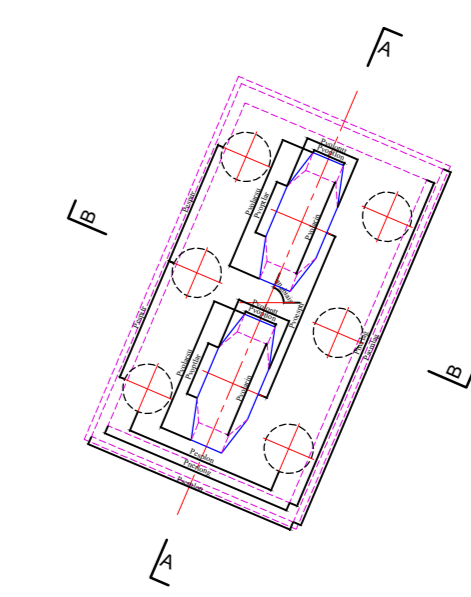
Section A-A
Scale:



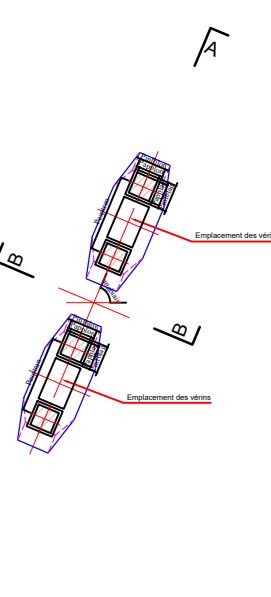
Section B-B
Scale:



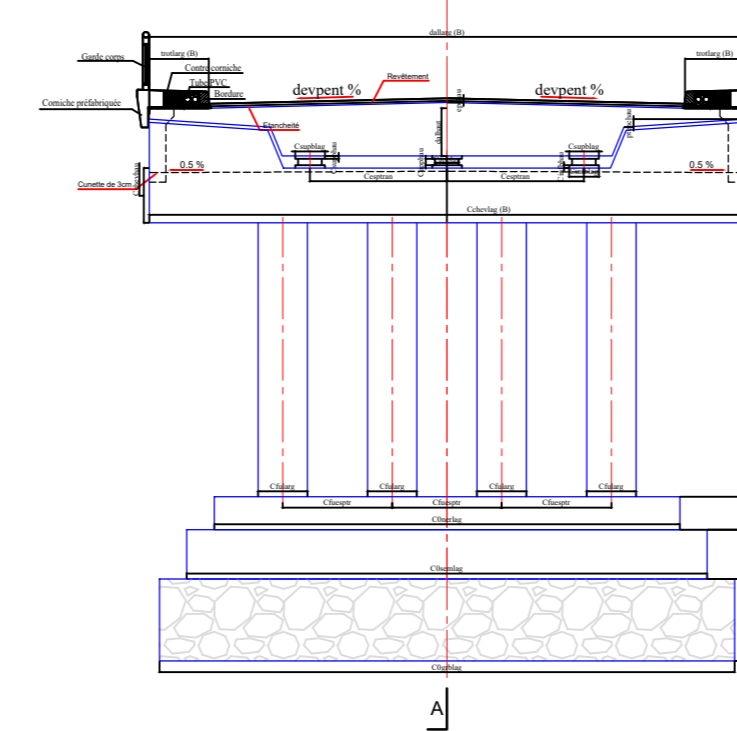
Section C-C
Scale:



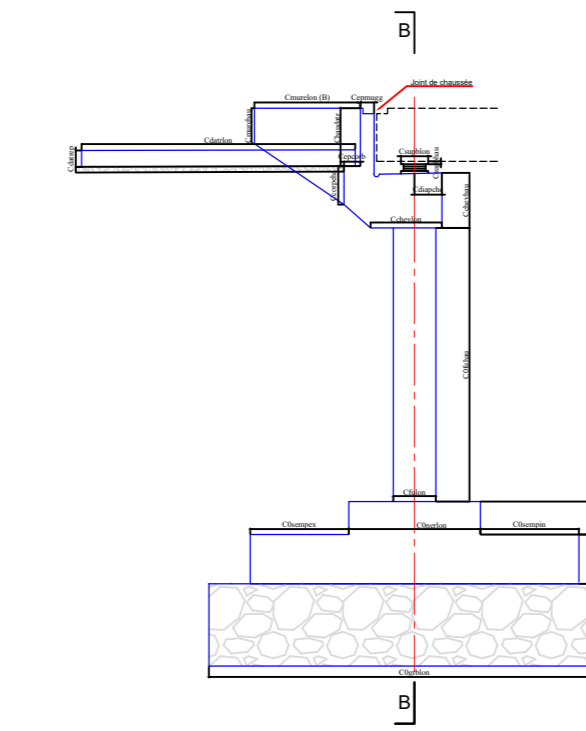
Section D-D
Scale:



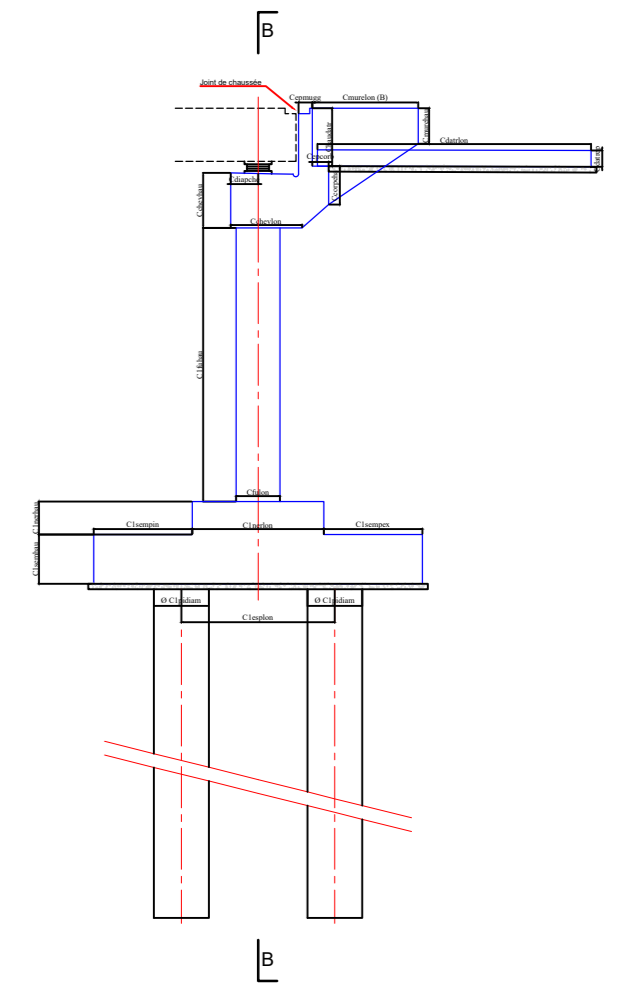
Section B-B - Abutment C0
Scale:



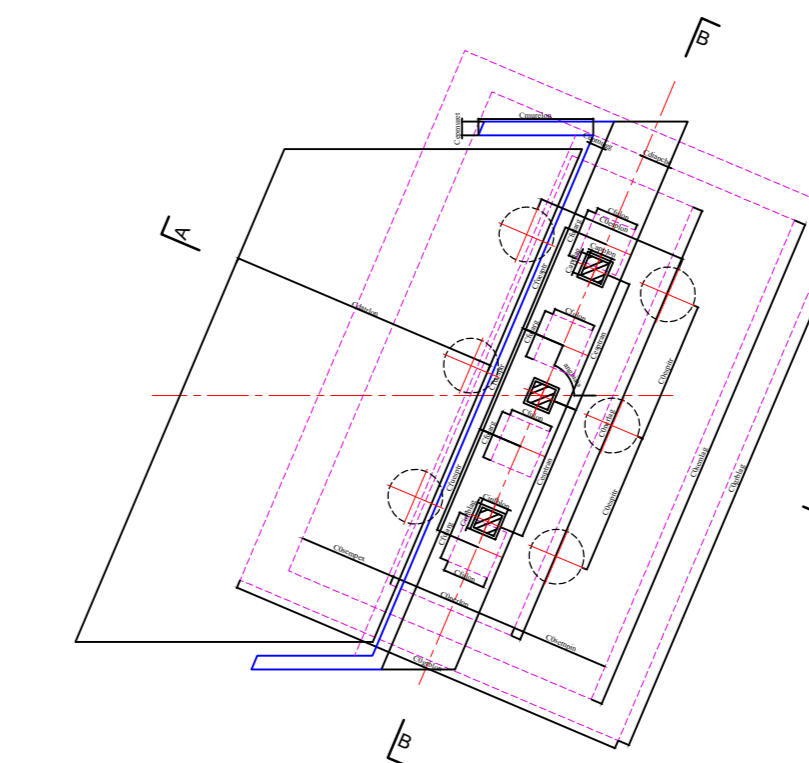
Section A-A - Abutment C0
Scale:



Section A-A - Abutment C1
Scale:



Abutment C0 - Plan View
Scale:



Abutment C1 - Plan View
Scale:

